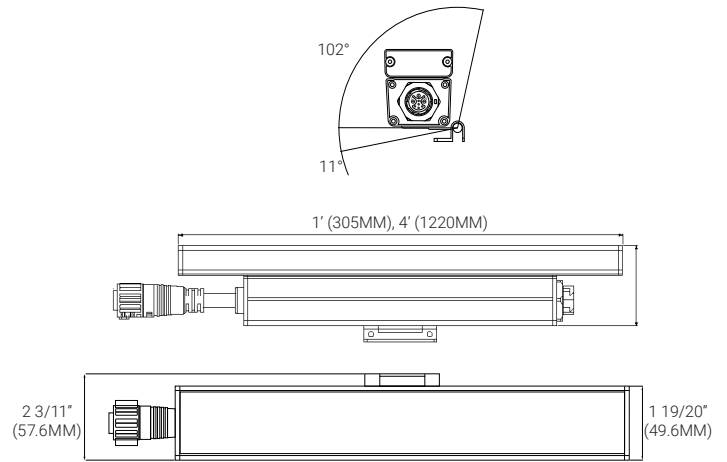


PROJECT: \_\_\_\_\_ TYPE: \_\_\_\_\_ QUANTITY: \_\_\_\_\_ CATALOG/ PART NUMBER: \_\_\_\_\_



DYNAMIC WHITE

CCT	18K, 22K, 27K, 3K, 35K, 4K, 5K, 65K, CUSTOM
DMX	RGBDMX, RGBW, RGBA, WW + CUSTOM, DYNAMIC WHITE
Static	RED, GREEN, BLUE, AMBER, CUSTOM
CRI	>80, >90
Control	ELV, 0-10V, DMX, DALI, DIM TO WARM
Optics	3°, 9°, 15°, 25°, 60°, 10 x 30°, 10 x 60°, 15 x 30°, 30 x 60°
Operating	30°C~50°C (-22°F ~ 122°F)
Power Factor	≥ 0.9
SDCM	3 STEP MACADAM ELLIPSE
Dimensions	L: 1ft (305mm), 4ft (1220mm) W: 1 19/20" (49.6mm) H: 2 1/8" (54.5mm)
Applications	WALL GRAZER, WALL WASHER
Voltage	100-277V AC 50Hz/60Hz
Waterproof Rate	Wet Location, IP66

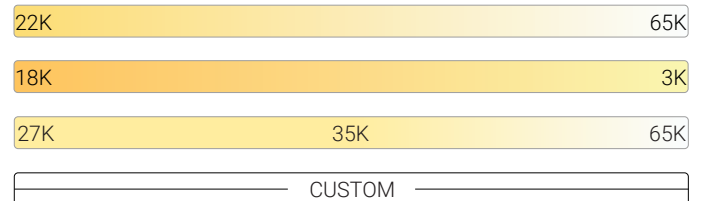
FIXTURE RUN LENGTHS

Max Run Length	120V AC	240V AC	277V AC
SO	100ft	190ft	230ft
HO	80ft	150ft	180ft
	Lumens		Efficacy (lm/W)
1ft	1000 - 1200 lm		80 - 85
4ft	4000 - 4800 lm		80 - 100

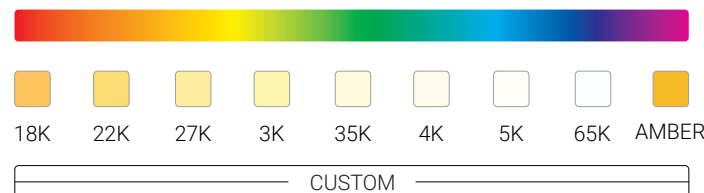
WHITE LIGHT



DIM TO WARM + DMX, DYNAMIC WHITE



RGB DMX



STANDARDS & CERTIFICATIONS



Tested to UL & CSA by Intertek For Use in USA & CANADA.



PROJECT: \_\_\_\_\_ TYPE: \_\_\_\_\_ QUANTITY: \_\_\_\_\_ CATALOG/ PART NUMBER: \_\_\_\_\_

ACCESSORIES 3PIN, ELV

3PIN, ELV

Leader Cable 3 Pin 10ft (3m)	Power to first fixture of run
Leader Cable 3 Pin 30ft (9m)	Power to first fixture of run
Leader Cable 3 Pin 50ft (15m)	Power to first fixture of run
Jumper Cable 3 Pin 1ft (0.3m)	Connection between fixtures
Jumper Cable 3 Pin 5ft (1.5m)	Connection between fixtures
Jumper Cable 3 Pin 10ft (3m)	Connection between fixtures
Jumper Cable 3 Pin 30ft (9m)	Connection between fixtures

5PIN, 0-10v, DMX, DALI

Leader Cable 5 Pin 10ft (3m)	Power to first fixture of run
Leader Cable 5 Pin 30ft (9m)	Power to first fixture of run
Leader Cable 5 Pin 50ft (15m)	Power to first fixture of run
Jumper Cable 5 Pin 1ft (0.3m)	Connection between fixtures
Jumper Cable 5 Pin 5ft (1.5m)	Connection between fixtures
Jumper Cable 5 Pin 10ft (3m)	Connection between fixtures
Jumper Cable 5 Pin 30ft (9m)	Connection between fixtures

LOUVER

Symmetric	Symmetric Louver, ABS, Gray, RAL7005
Asymmetric	Asymmetric Louver, ABS, Gray, RAL7005
Honeycomb	Honeycomb Louver, ABS, Gray, RAL7005

TERMINATOR

Terminator Male	Must be fixed to last fixture for safety
-----------------	--

MOUNTING

Wall Mount	Custom
Landscape stake	Custom
Mounting Track	Custom



PROJECT: \_\_\_\_\_ TYPE: \_\_\_\_\_ QUANTITY: \_\_\_\_\_ CATALOG/ PART NUMBER: \_\_\_\_\_

ORDER CODE

MODEL	INPUT VOLTGE	WATTAGE	FUNCTION	CONTROL	OPTICS	LENGTH	FINISH	APPLICATION									
<b>PG</b>																	
PRO GRAZE	PG	100-277V AC 240V AC	UNI 240	STANDARD OUPUT HIGH OUPUT	SO HO	1800K 2200K 2700K 3000K 3500K 4000K 5000K 6500K RED GREEN BLUE VIOLET CUSTOM AMBER RGB RGB AMBER RGB 2700K RGB 3000K RGB 4000K DYNAMIC WHITE + DIM TO WARM + 2200K-6500K DYNAMIC WHITE + DIM TO WARM + 1800K-3000K	18 22 27 3 35 4 5 65 R G B V CS A RGB RGBA RGB27 RGB3 RGB4	ELV MoT DALI DMX DMX RDM RDM 0-10V DIM TO WARM ELV DIM TO WARM DMX DIM TO WARM 0-10V	ELV MoT DL DMX DMXRDM RDM 010V DMXELV DMXELV	3° 9° 15° 25° 60° 10°x30° 10°x60° 15°x30° 30°x60°	3 9 15 25 60 1030 1060 1530 3060	1FT 4FT	1 4	BLACK	B	INTERIOR EXTERIOR	IN EX

ACCESSORIES

MOUNTING		LOUVER		LEADER CABLES		JUMPER CABLES		TERMINATOR	
WALL MOUNT	WM	SYMMETRIC	SYM	Leader Cable 3 Pin 10ft (3m)	LC3P10	Jumper Cable 3 Pin 1ft (0.3m)	JC3P1	TERMINATOR 3PIN	T3P
MOUNTING TRACK	MT	ASYMMETRIC	ASY	Leader Cable 3 Pin 30ft (9m)	LC3P30	Jumper Cable 3 Pin 5ft (1.5m)	JC3P5	TERMINATOR 5PIN	T5P
LANDSCAPE STAKE	LS	HONEYCOMB	HON	Leader Cable 3 Pin 50ft (15m)	LC3P50	Jumper Cable 3 Pin 10ft (3m)	JC3P10		
				Leader Cable 5 Pin 10ft (3m)	LC5P10	Jumper Cable 3 Pin 30ft (9m)	JC3P30		
				Leader Cable 5 Pin 30ft (9m)	LC5P30	Jumper Cable 5 Pin 1ft (0.3m)	JC5P1		
				Leader Cable 5 Pin 50ft (15m)	LC5P50	Jumper Cable 5 Pin 5ft (1.5m)	JC5P5		
						Jumper Cable 5 Pin 10ft (3m)	JC5P10		
						Jumper Cable 5 Pin 30ft (9m)	JC5P30		

